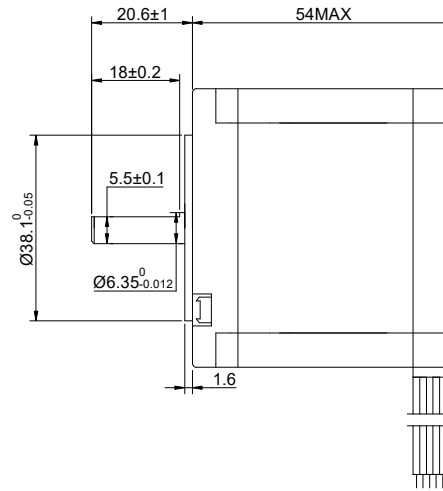
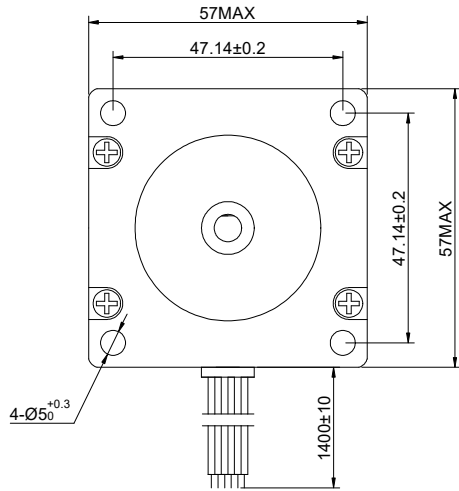


CUSTOMER'S MODEL: NO MODEL  
 END COVER COLOR: GRAY

REV.	REVISION RECORD	BY	DATE
0	ORIGIN	YSX	7.31.2025



STEPPER MOTOR  
 23HS21-0446S  
 S/N: XXXXXXXXXXXXX



MOTOR CONNECTION			
PIN NO	BIPOLAR	LEADS	WINDING
1	A+	BLK	
2	A-	GRN	
3	B+	RED	
4	B-	BLU	
5	O+	YEL	
6	O-	WHT	

CONNECTION	UNIPOLAR
SPECIFICATION	
AMPS/PHASE	0.44
RESISTANCE/PHASE(Ohms)@25°C	27.00±10%
INDUCTANCE/PHASE(mH)@1KHz	40.00±20%
HOLDING TORQUE(Nm)[lb-in]	0.60[5.31]
STEP ANGLE(°)	1.80
STEP ACCURACY(NON-ACCUM)	±5.00%
ROTOR INERTIA(g-cm <sup>2</sup> )	--
WEIGHT(Kg)[lb]	--
AMBIENT TEMPERATURE	-10°C~50°C[14°F~122°F]
INSULATION CLASS	B 130°C[266°F]
TEMPERATURE RISE	MAX.80°C

FULL STEP 2 PHASE-Ex.,WHEN FACING MOUNTING END (X)					
STEP	A+	B+	A-	B-	O(O)
1	+	+			+
2		+	+		+
3			+	+	+
4	+			+	+

DIMENSIONS ARE IN MILLIMETERS.  
 TOLERANCES AS BELOW:  
 DECIMALS ANGLES  
 X ±0.5 ±2°  
 X.X ±0.25  
 X.XX ±0.13

THIRD ANGLE PROJECTION

**STEPPERONLINE®**

**STEPPER MOTOR**

**23HS21-0446S**

REV.	0	SCALE	2:3	DWG NO.	A1113
------	---	-------	-----	---------	-------

SIGNATURE		DATE
DRN	YSX	7.31.2025
APVD	LJ	7.31.2025