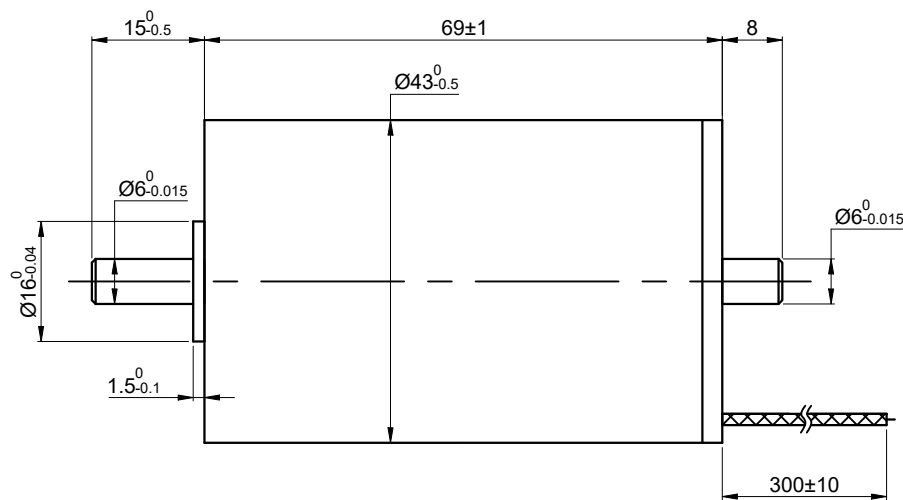
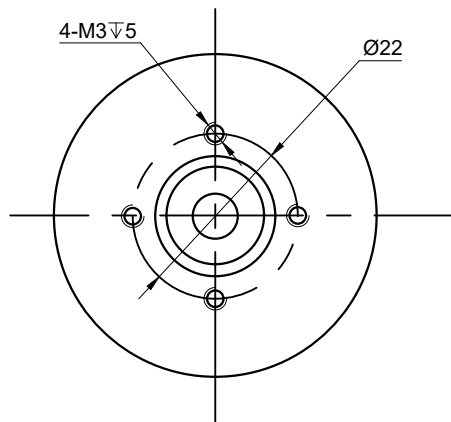


CUSTOMER'S MODEL: NO MODEL
 END COVER COLOR: BLACK

REV.	REVISION RECORD	BY	DATE
0	ORIGIN	LDJ	8.13.2025

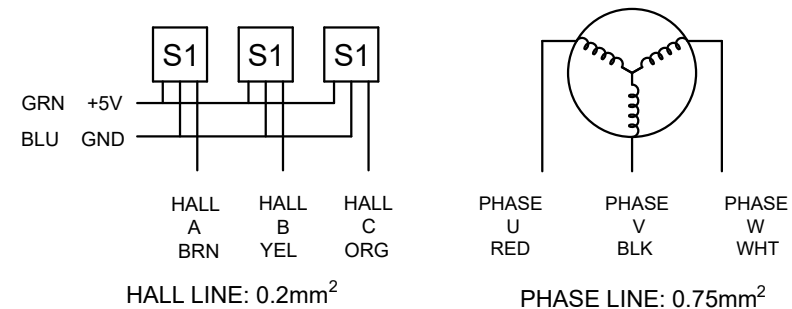


SPECIFICATION	VALUE
RATED VOLTAGE(V)	24
TERMINAL RESISTANCE(Ohms)	0.21
TERMINAL INDUCTANCE(mH)	0.05
NO LOAD SPEED(RPM)	10500
NO LOAD CURRENT(A)	0.75
RATED SPEED(RPM)	8000
RATED CURRENT(A)	9.68
RATED TORQUE(mNm)	210
RATED POWER(W)	175.92
THE GREATEST POWER OUTPUT(W)	676.74
EFFICIENCY(%)	84.45
TORQUE CONSTANT (mNm/A)	21.68
STALL TORQUE (mNm)	2461.88
BACK-EMF CONSTANT (mV/RPM)	2.27
SPEED CONSTANT (RPM/V)	440.39
FRICTION TORQUE(mNm)	16.26
CURRENT CONSTANT (A/mNm)	0.05

1. OPERATING TEMPERATURE RANGE:
 -20°C~80°C[-4°F~176°F]
 2. WIN ING MAX PERMISSIBLE:
 180°C[356°F]
 3. NO. of POLES: 2

DIMENSIONS ARE IN MILLIMETERS.
 TOLERANCES AS BELOW:
 DECIMALS ANGLES
 X ±0.5 ±2°
 X.X ±0.25
 X.XX ±0.13

THIRD ANGLE PROJECTION



STEPPERONLINE®

BRUSHLESS DC MOTOR

43CL70-24-P2-8000

THIS DOCUMENT SHALL NOT BE REPRODUCED NOR SHALL THE INFORMATION CONTAINED HEREIN BE USED BY OR DISCLOSED TO OTHERS UNLESS EXPRESSLY AUTHORIZED IN BY WRITING STEPPERONLINE.

SIGNATURE		DATE
DRN	LDJ	8.13.2025
APVD	MYX	8.13.2025

REV.	0	SCALE	1:1	DWG NO.	A4900
------	---	-------	-----	---------	-------