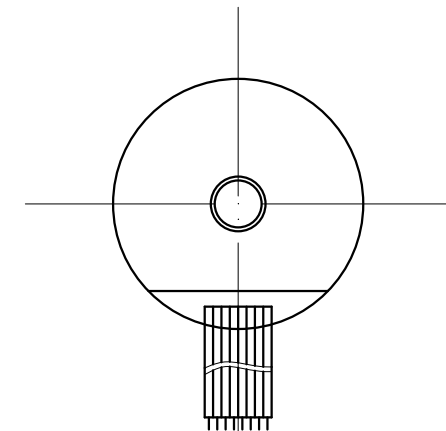
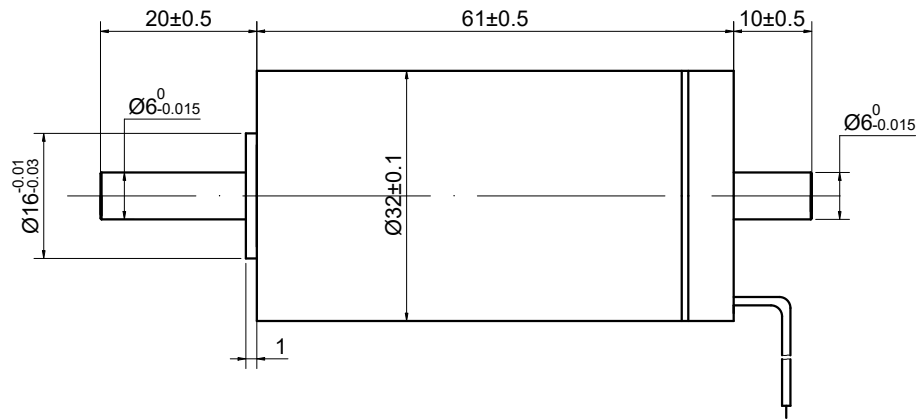
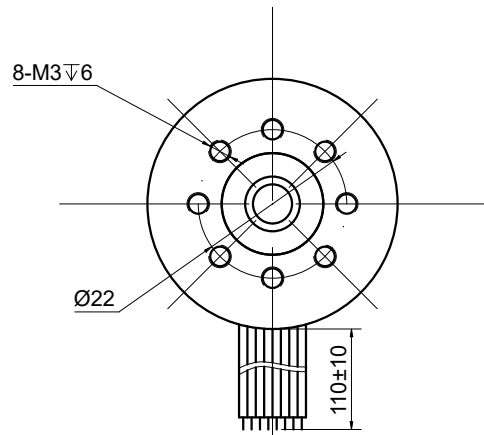


REV.	REVISION RECORD	BY	DATE
0	ORIGIN	MYX	8.13.2025

CUSTOMER'S MODEL: NO MODEL
 END COVER COLOR: BLACK



SPECIFICATION	VALUE
RATED VOLTAGE(V)	28
TERMINAL RESISTANCE(Ohms)	0.41
TERMINAL INDUCTANCE(mH)	0.06
NO LOAD SPEED(RPM)	21000
NO LOAD CURRENT(A)	0.28
RATED SPEED(RPM)	16800
RATED CURRENT(A)	6.31
RATED TORQUE(mNm)	80
RATED POWER(W)	140.73
THE GREATEST POWER OUTPUT(W)	474.14
EFFICIENCY(%)	87.60
TORQUE CONSTANT (mNm/A)	12.68
STALL TORQUE (mNm)	862.41
BACK-EMF CONSTANT (mV/RPM)	1.33
SPEED CONSTANT (RPM/V)	753.09
FRICTION TORQUE(mNm)	3.55
CURRENT CONSTANT (A/mNm)	0.08

1. OPERATING TEMPERATURE RANGE:
 -20°C~80°C[-4°F~176°F]

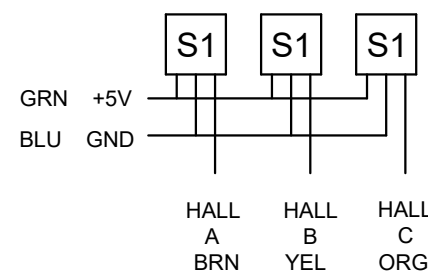
2. WIN ING MAX PERMISSIBLE:
 180°C[356°F]

3. NO. of POLES: 2

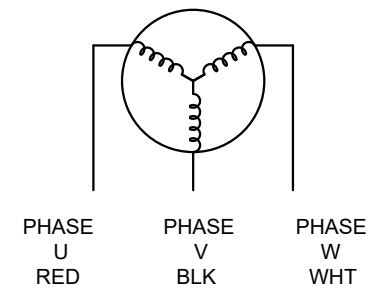
THIS DOCUMENT SHALL NOT BE REPRODUCED NOR SHALL THE INFORMATION CONTAINED HEREIN BE USED BY OR DISCLOSED TO OTHERS UNLESS EXPRESSLY AUTHORIZED IN BY WRITING STEPPERONLINE.

DIMENSIONS ARE IN MILLIMETERS.
 TOLERANCES AS BELOW:
 DECIMALS ANGLES
 X ±0.5 ±2°
 X.X ±0.25
 X.XX ±0.13

THIRD ANGLE PROJECTION



HALL LINE: 0.2mm²



PHASE LINE: 0.5mm²

STEPPERONLINE®

BRUSHLESS DC MOTOR

32CL60-28-P2-16800

REV.	0	SCALE	1:1	DWG NO.	A4873
------	---	-------	-----	---------	-------

SIGNATURE		DATE
DRN	MYX	8.13.2025
APVD	LDJ	8.13.2025