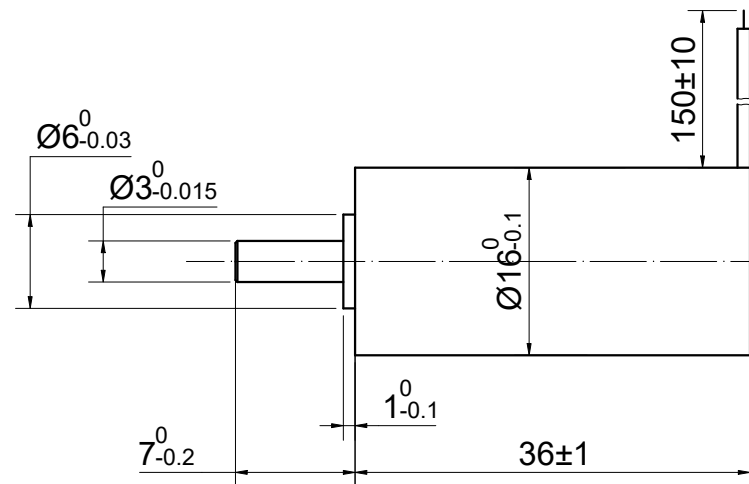
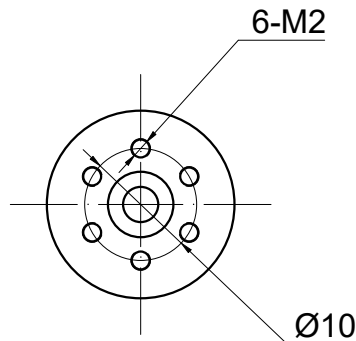


CUSTOMER'S MODEL: NO MODEL
 END COVER COLOR: BLACK

REV.	REVISION RECORD	BY	DATE
0	ORIGIN	YSX	8.13.2025

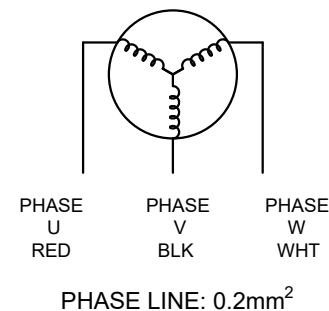


SPECIFICATION	VALUE
RATED VOLTAGE(V)	24
TERMINAL RESISTANCE(Ohms)	5.2
TERMINAL INDUCTANCE(mH)	0.2
NO LOAD SPEED(RPM)	20000
NO LOAD CURRENT(A)	0.06
RATED SPEED(RPM)	12700
RATED CURRENT(A)	0.50
RATED TORQUE(mNm)	5.6
RATED POWER(W)	7.45
THE GREATEST POWER OUTPUT(W)	26.98
EFFICIENCY(%)	78.50
TORQUE CONSTANT (mNm/A)	11.31
STALL TORQUE (mNm)	51.12
BACK-EMF CONSTANT (mV/RPM)	1.18
SPEED CONSTANT (RPM/V)	844.31
FRICTION TORQUE(mNm)	0.68
CURRENT CONSTANT (A/mNm)	0.09

- OPERATING TEMPERATURE RANGE:
-20°C~80°C[-4°F~176°F]
- WINDING MAX PERMISSIBLE:
180°C[356°F]
- NO. of POLES: 2

DIMENSIONS ARE IN MILLIMETERS.
 TOLERANCES AS BELOW:
 DECIMALS ANGLES
 X ±0.5 ±2°
 X.X ±0.25
 X.XX ±0.13

THIRD ANGLE PROJECTION



THIS DOCUMENT SHALL NOT BE REPRODUCED NOR SHALL THE INFORMATION CONTAINED HEREIN BE USED BY OR DISCLOSED TO OTHERS UNLESS EXPRESSLY AUTHORIZED IN BY WRITING STEPPERONLINE.

SIGNATURE		DATE
DRN	YSX	8.13.2025
APVD	LJ	8.13.2025

STEPPERONLINE®			
BRUSHLESS DC MOTOR			
16CL36-24-P2-12700			
REV.	0	SCALE	1:1
DWG NO.	A4890		