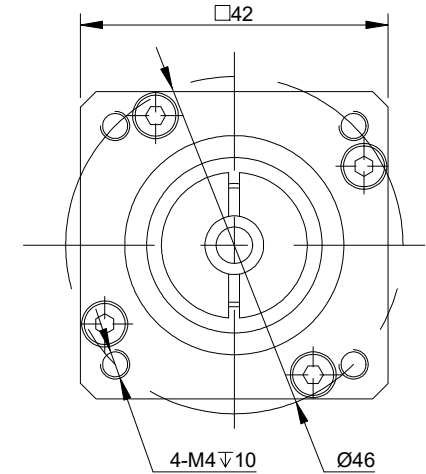
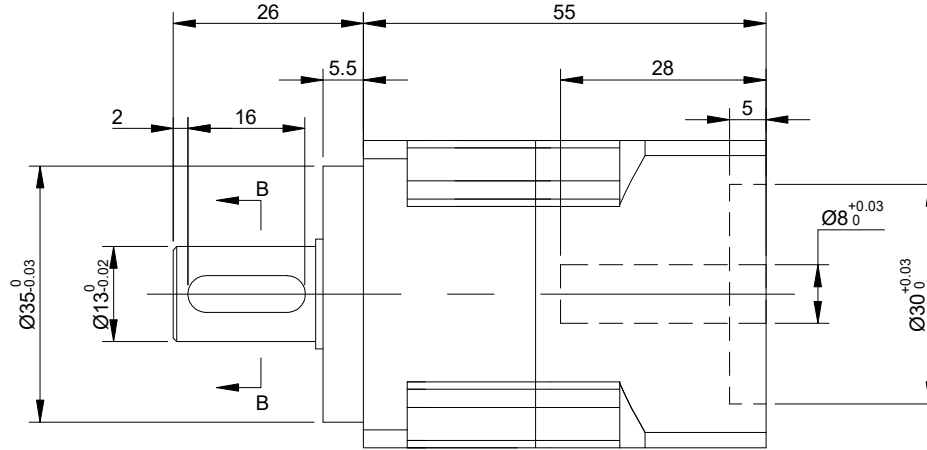
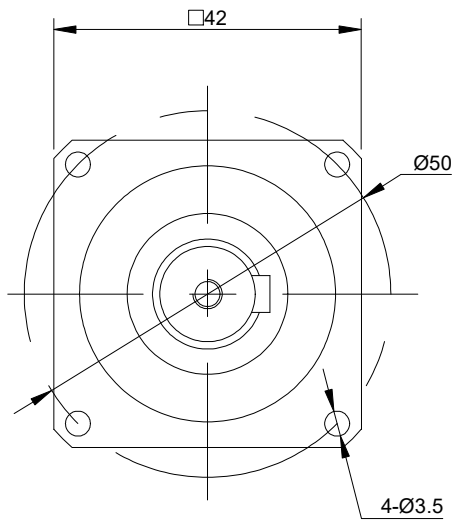
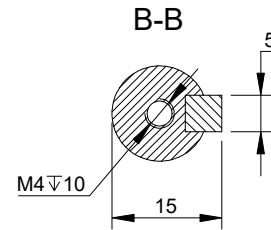


REV.	REVISION RECORD	BY	DATE
0	ORIGIN	LDJ	6.26.2025



SPECIFICATION	CONNECTION	VALUE
GEAR RATIO		10
EFFICIENCY		97%
BACKLASH@NO-LOAD(arcmin)		<=3
MAX.PERMISSIBLE TORQUE(Nm)[lb-in]		7.00[61.96]
MOMENT PERMISSIBLE TORQUE(Nm)[lb-in]		14.00[123.91]
SHAFT MAXIMUM AXIAL LOAD(N)		390
SHAFT MAXIMUM RADIAL LOAD(N)		780
GEARBOX MATCHING MOTOR'S INPUT SHAFT LENGTH (mm)		MAX 28
RATED INPUT SPEED(RPM)		3000
MAX. INPUT SPEED(RPM)		6000
NOISE(dB)		<=58
WATERPROOF RATING		IP65
LIFE(h)		20000
WORKING TEMPERATURE		-20°C~90°C[-4°F~194°F]



DIMENSIONS ARE IN MILLIMETERS.
 TOLERANCES AS BELOW:
 DECIMALS ANGLES
 X ±0.5 ±2°
 X.X ±0.25
 X.XX ±0.13

THIRD ANGLE PROJECTION	
SIGNATURE	DATE
DRN LDJ	6.26.2025
APVD ZPJ	6.26.2025

STEPPERONLINE®

HELICAL PLANETARY GEARBOX

HTG40-G10

REV.	0	SCALE	2:3	DWG NO.	A4690
------	---	-------	-----	---------	-------