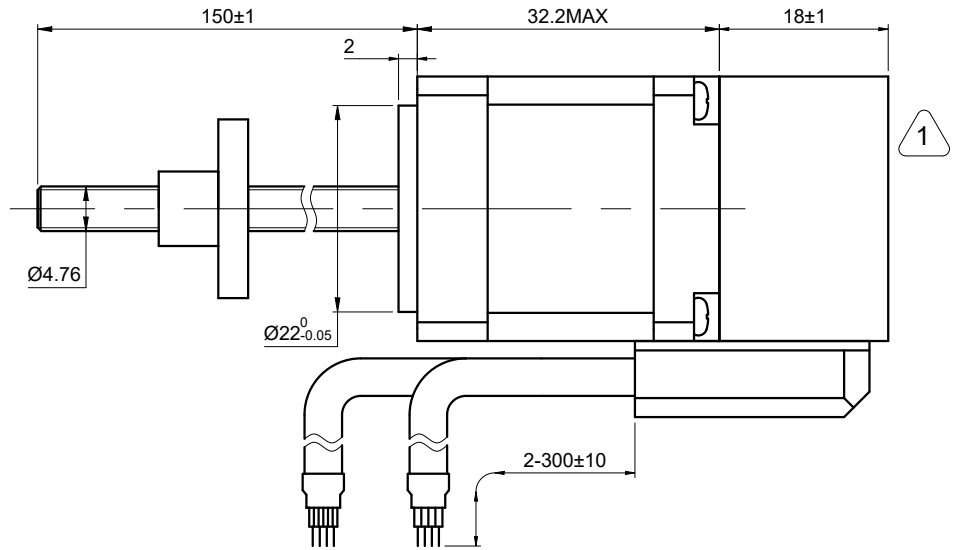
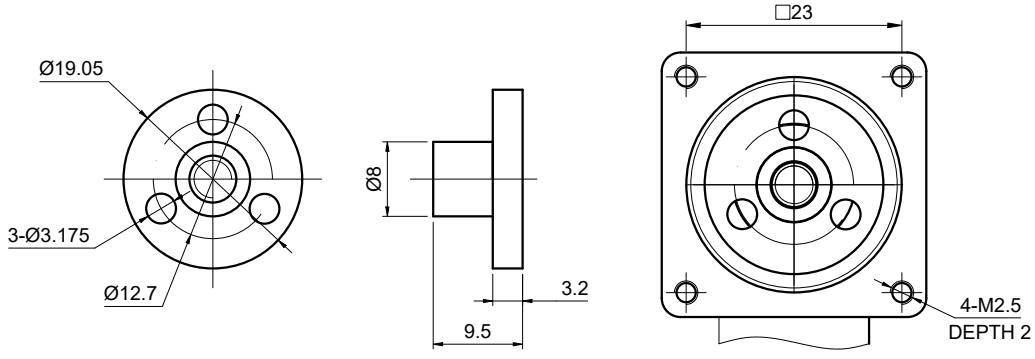


CUSTOMER'S MODEL: NO MODEL
 END COVER COLOR: BLACK

REV.	REVISION RECORD	BY	DATE
0	ORIGIN		8.10.2022
1	ADD ENCODER	LJ	5.20.2025

MR001-A WHITE POM



ENCODER RESOLUTION:1000PPR		
PIN NO	DESCRIPTION	COLOR
1	VCC	RED
2	GND	BLK
3	EA+	WHT
4	EA-	YEL
5	EB+	ORG
6	EB-	GRY
7	EZ+	GRN
8	EZ-	BLU

MOTOR CONNECTION			
PIN NO	BIPOLAR	LEADS	WINDING
1	A+	BLK	
2	A-	GRN	
3	B+	RED	
4	B-	BLU	

SPECIFICATION	CONNECTION	BIPOLAR
AMPS/PHASE		1.00
RESISTANCE/PHASE(Ohms)@25°C		2.1±10%
INDUCTANCE/PHASE(mH)@1KHz		1.5±20%
HOLDING TORQUE(Nm)[lb-in]		0.05[0.44]
STEP ANGLE(°)		1.80
STEP ACCURACY(NON-ACCUM)		±5.00%
LEAD(mm)		2.54
LINEAR TRAVEL/STEP(mm)		0.0127
AMBIENT TEMPERATURE		-20°C~50°C[-4°F~122°F]
INSULATION CLASS		B 130°C[266°F]
TEMPERATURE RISE		MAX.80°C
AMBIENT HUMIDITY		MAX.85%

COMMENT:
 1.TMBF 6000h OR MORE @ 24V/300RPM
 2.INSULATION RESISTANCE (NORMAL TEMPERATURE AND HUMIDITY): 100 Mohm
 3.DIELECTRIC STRENGTH 500VAC FOR 1MIN.(BETWEEN THE MOTOR COILS AND THE MOTOR CASE)

STEP	A+	B+	A-	B-	
1	+	+	-	-	
2	-	+	+	-	
3	-	-	+	+	
4	+	-	-	+	

FULL STEP 2 PHASE-Ex.,WHEN FACING MOUNTING END (X)
 DIMENSIONS ARE IN MILLIMETERS.
 TOLERANCES AS BELOW:
 DECIMALS ANGLES
 X ±0.5 ±2°
 X.X ±0.25
 X.XX ±0.13
 THIRD ANGLE PROJECTION

STEPPERONLINE®

LINEAR ACTUATOR

11E13S1004GD4-150RS-OE1K

REV.	1	SCALE	1.5:1	DWG NO.	A4538
------	---	-------	-------	---------	-------

SIGNATURE		DATE
DRN	LJ	5.20.2025
APVD	YSX	5.20.2025

THIS DOCUMENT SHALL NOT BE REPRODUCED NOR SHALL THE INFORMATION CONTAINED HEREIN BE USED BY OR DISCLOSED TO OTHERS UNLESS EXPRESSLY AUTHORIZED IN BY WRITING STEPPERONLINE.