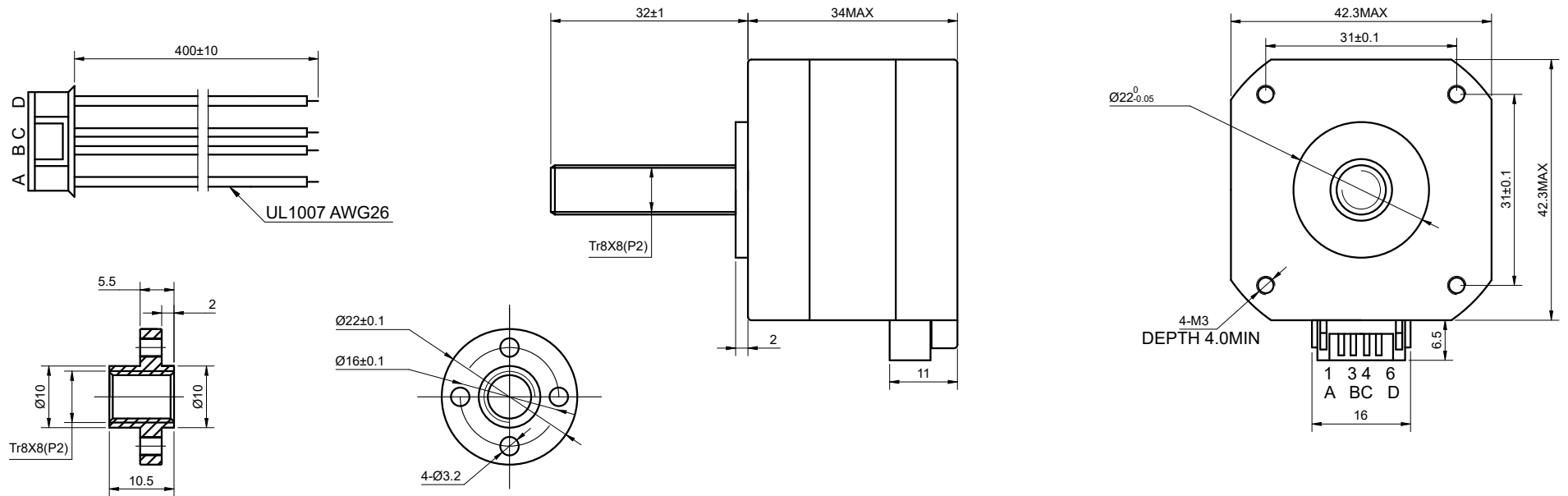


REV.	REVISION RECORD	BY	DATE
0	ORIGIN	HW	7.12.2024

CUSTOMER'S MODEL: NO MODEL
 END COVER COLOR: BLACK



SPECIFICATION	CONNECTION	BIPOLAR
AMPS/PHASE		0.40
RESISTANCE/PHASE(Ohms)@25°C		30.00±10%
INDUCTANCE/PHASE(mH)@1KHz		37.00±20%
HOLDING TORQUE(Nm)[lb-in]		0.26[2.30]
STEP ANGLE(°)		1.80
STEP ACCURACY(NON-ACCUM)		±5.00%
LEAD(mm)		8
LINEAR TRAVEL/STEP(mm)		0.04
AMBIENT TEMPERATURE		-10°C~50°C[4°F~122°F]
INSULATION CLASS		B 130°C[266°F]
TEMPERATURE RISE		MAX.80°C
AMBIENT HUMIDITY		MAX.85%

COMMENT:
 1.TMBF 6000h OR MORE @ 24V/300RPM
 2.INSULATION RESISTANCE (NORMAL TEMPERATURE AND HUMIDITY): 100 Mohm
 3.DIELECTRIC STRENGTH 500VAC FOR 1MIN.(BETWEEN THE MOTOR COILS AND THE MOTOR CASE)

MOTOR CONNECTION			
PIN NO	BIPOLAR	LEADS	WINDING
1	A+	RED	
2	A-	GRY	
3	B+	YEL	
4	B-	GRN	

FULL STEP 2 PHASE-Ex.,WHEN FACING MOUNTING END (X)						CCW	↑	DIMENSIONS ARE IN MILLIMETERS. TOLERANCES AS BELOW: DECIMALS ANGLES X ±0.5 ±2° X.X ±0.25 X.XX ±0.13
STEP	A+	B+	A-	B-				
1	+	+	-	-		↓ CW	THIRD ANGLE PROJECTION 	
2	-	+	+	-				
3	-	-	+	+				
4	+	-	-	+				

STEPPERONLINE®

LINEAR ACTUATOR

17E13S0404MB4-032RB

REV.	0	SCALE	1:1	DWG NO.	A3502
------	---	-------	-----	---------	-------

SIGNATURE		DATE
DRN	HW	7.12.2024
APVD	LDJ	7.12.2024