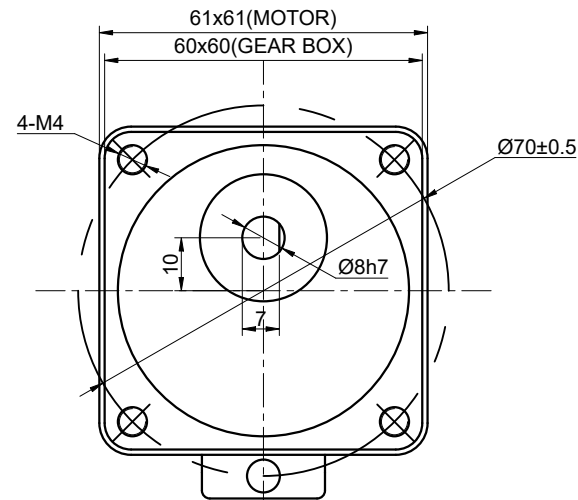
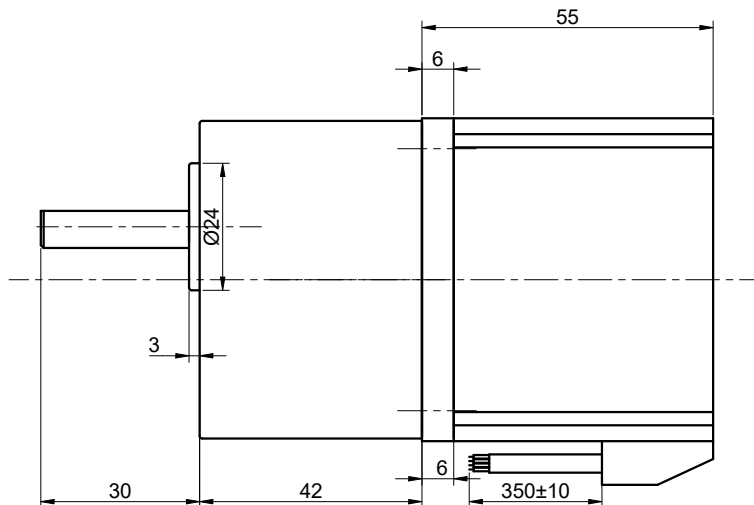


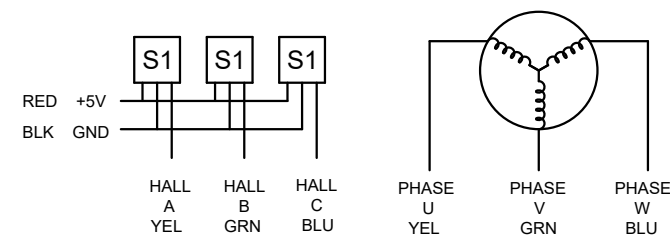
CUSTOMER'S MODEL: NO MODEL
 END COVER COLOR: BLUE

| REV. | REVISION RECORD | BY | DATE |
|------|-----------------|-----|------------|
| 0 | ORIGIN | YSX | 12.25.2025 |



| SPECIFICATION | VALUE |
|-----------------------------|------------------------|
| NO. of PHASES | 3 |
| NO. of POLES | 10 |
| RATED VOLTAGE(V): | 48 |
| RATED POWER(W): | 15 |
| RATED LOAD SPEED(RPM): | 300 |
| RATED LOAD TORQUE(N.m): | 0.39 |
| RATED CURRENT(A): | 0.60 |
| GEAR RATIO | 10 |
| MAX.PERMISSIBLE TORQUE(N.m) | 3 |
| AMBIENT TEMPERATURE | -10°C~40°C[14°F~104°F] |
| INSULATION CLASS | E 120°C[248°F] |
| TEMPERATURE RISE | MAX.80°C |

THIS DOCUMENT SHALL NOT BE REPRODUCED NOR SHALL THE INFORMATION CONTAINED HEREIN BE USED BY OR DISCLOSED TO OTHERS UNLESS EXPRESSLY AUTHORIZED IN BY WRITING STEPPERONLINE.



DIMENSIONS ARE IN MILLIMETERS.
 TOLERANCES AS BELOW:
 DECIMALS ANGLES
 X ±0.5 ±2°
 X.X ±0.25
 X.XX ±0.13

THIRD ANGLE PROJECTION

STEPPERONLINE®

GEARED BLDC MOTOR

F2B15-48GN-30S/2GN10K

| SIGNATURE | | DATE |
|-----------|-----|------------|
| DRN | YSX | 12.25.2025 |
| APVD | ZPJ | 1.5.2026 |

| | | | | | |
|------|---|-------|-----|---------|-------|
| REV. | 0 | SCALE | 1:1 | DWG NO. | A5356 |
|------|---|-------|-----|---------|-------|