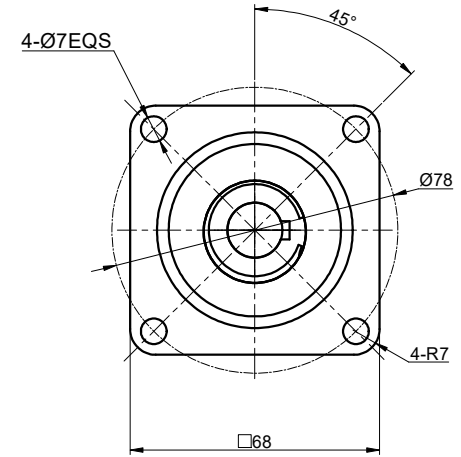
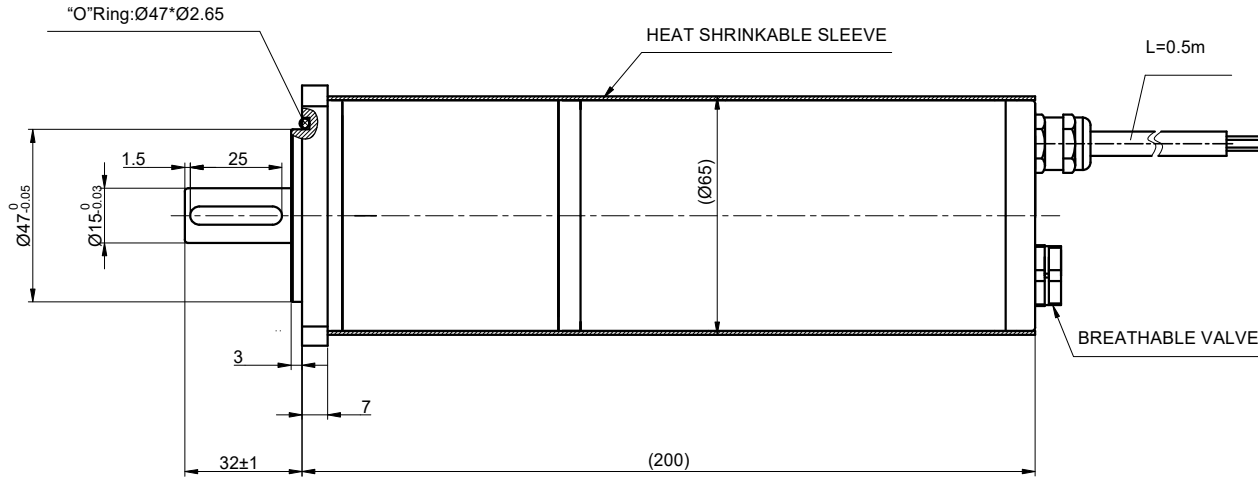
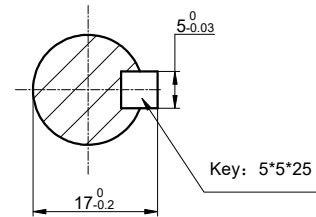


REV.	REVISION RECORD	BY	DATE
0	ORIGIN	HW	5.9.2024



SPECIFICATION	VALUE
RATED VOLTAGE(V)	24
RATED CURRENT(A)	≤4.5
PEAK CURRENT(A)	≤6.5
RATED POWER(W)	66
RATED SPEED w/o GEARBOX(RPM)	1800±10%
RATED TORQUE w/o GEARBOX(N·m)	0.35
PEAK TORQUE w/o GEARBOX(N·m)	0.52
RATIO	36
RATED SPEED w/ GEARBOX(RPM)	50±10%
RATED TORQUE w/ GEARBOX(N·m)	10
MAX.PERMISSIBLE TORQUE(N·m)	15
NOISE	≤65dB
PROTECT CLASS	IP66
AMBIENT TEMPERATURE	-40°C~80°C[-40°F~176°F]
INSULATION CLASS	F 155°C[311°F]
TEMPERATURE RISE	MAX.100K



WHEN FACING MOUNTING END

DIMENSIONS ARE IN MILLIMETERS.
TOLERANCES AS BELOW:
DECIMALS ANGLES
X ±0.5 ±2°
X.X ±0.25
X.XX ±0.13

SIGNATURE		DATE
DRN	HW	5.9.2024
APVD	LDJ	5.9.2024

DC GEARBOX MOTOR

PB65-65241800-G36

REV.	0	SCALE	1:2	DWG NO.	A3237
------	---	-------	-----	---------	-------