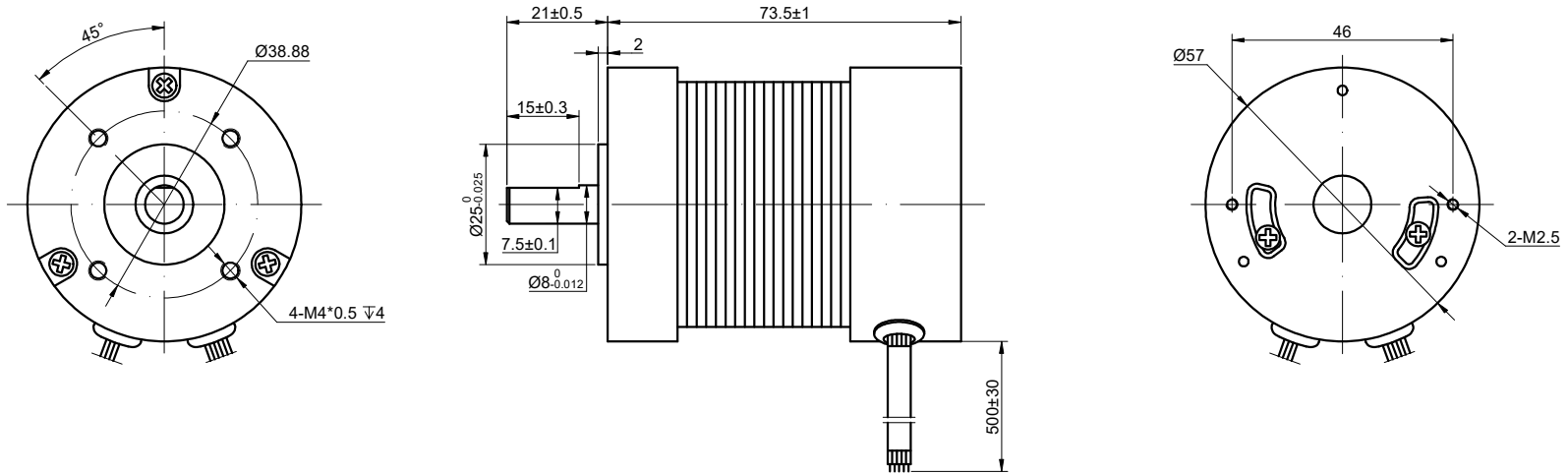


|           |               |         |       |
|-----------|---------------|---------|-------|
| MODEL NO. | 57BYA74-24-01 | DWG NO. | A3148 |
|-----------|---------------|---------|-------|

CUSTOMER'S MODEL: NO MODEL  
END COVER COLOR: GRAY

| REV. | REVISION RECORD | BY  | DATE     |
|------|-----------------|-----|----------|
| 0    | ORIGIN          | ZPJ | 5.8.2024 |

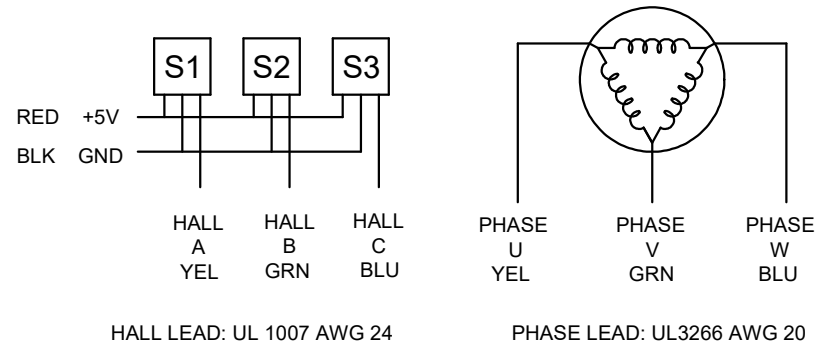


| SPECIFICATION               | VALUE                  |
|-----------------------------|------------------------|
| NO. of PHASES               | 3                      |
| NO. of POLES                | 4                      |
| RESISTANCE/PHASE(Ohms)@25°C | 0.43±10%               |
| INDUCTANCE/PHASE(mH)@1KHz   | 1.18±20%               |
| RATED VOLTAGE(V)            | 24                     |
| RATED TORQUE(N.m)[lb-in]    | 0.32[2.83]             |
| RATED POWER(W)              | 101                    |
| RATED SPEED(RPM)            | 3000±10%               |
| RATED CURRENT(A)            | 5.70                   |
| NO LOAD SPEED(RPM)          | 3650±10%               |
| WEIGHT(kg)                  | —                      |
| BACK EMF(V/krpm)            | 4.80±5%                |
| SENSOR                      | HALL                   |
| AMBIENT TEMPERATURE         | -10°C~50°C[14°F~122°F] |
| INSULATION CLASS            | B 130°C[266°F]         |
| TEMPERATURE RISE            | MAX.80°C               |

COMMENT:  
1.INSULATION RESISTANCE (NORMAL TEMPERATURE AND HUMIDITY): 50 Mohm  
2.DIELECTRIC STRENGTH: AC600V CUT OFF CURRENT 2mA FOR 1S

DIMENSIONS ARE IN MILLIMETERS.  
TOLERANCES AS BELOW:  
DECIMALS ANGLES  
X ±0.5 ±2°  
X.X ±0.25  
X.XX ±0.13

THIRD ANGLE PROJECTION



**STEPPERONLINE®**

**BRUSHLESS DC MOTOR**

57BYA74-24-01

THIS DOCUMENT SHALL NOT BE REPRODUCED NOR SHALL THE INFORMATION CONTAINED HEREIN BE USED BY OR DISCLOSED TO OTHERS UNLESS EXPRESSLY AUTHORIZED IN BY WRITING STEPPERONLINE.

| SIGNATURE |     | DATE     |
|-----------|-----|----------|
| DRN       | ZPJ | 5.8.2024 |
| APVD      | HW  | 5.8.2024 |

|      |   |       |     |         |       |
|------|---|-------|-----|---------|-------|
| REV. | 0 | SCALE | 1:1 | DWG NO. | A3148 |
|------|---|-------|-----|---------|-------|