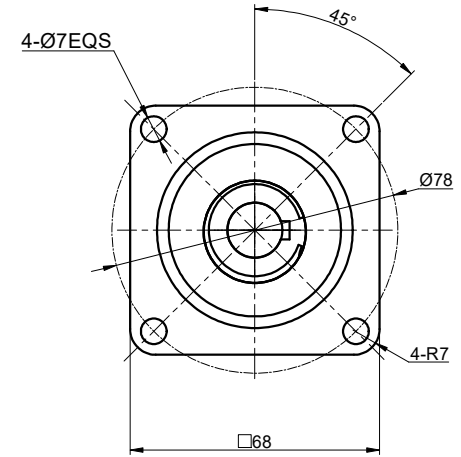
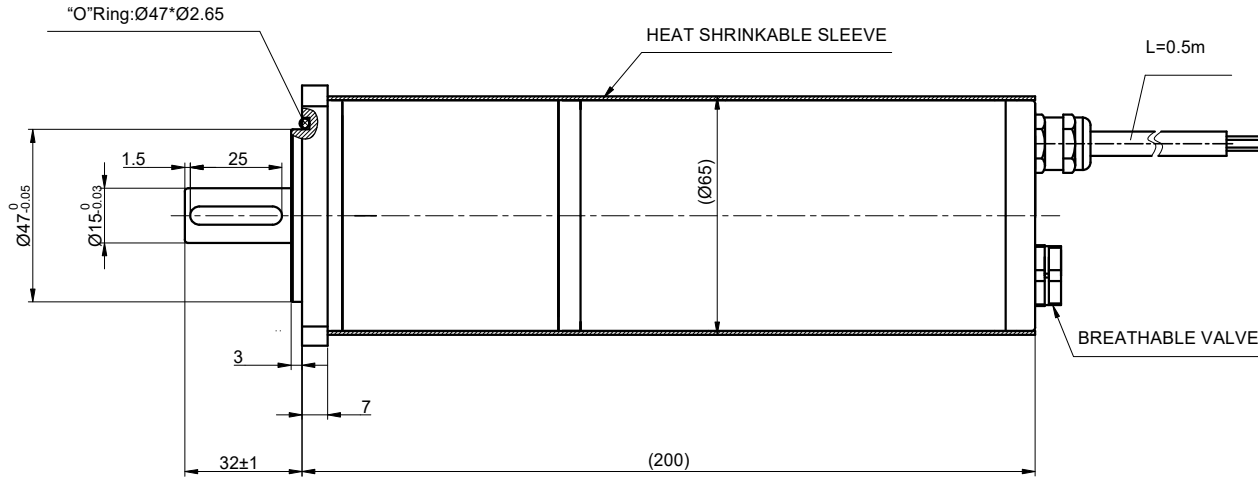
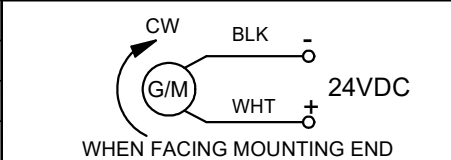
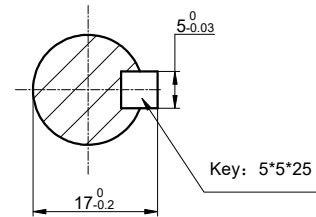


REV.	REVISION RECORD	BY	DATE
0	ORIGIN	HW	5.9.2024



SPECIFICATION	VALUE
RATED VOLTAGE(V)	24
RATED CURRENT(A)	≤4.5
PEAK CURRENT(A)	≤6.5
RATED POWER(W)	66
RATED SPEED w/o GEARBOX(RPM)	1800±10%
RATED TORQUE w/o GEARBOX(N·m)	0.35
PEAK TORQUE w/o GEARBOX(N·m)	0.52
RATIO	18
RATED SPEED w/ GEARBOX(RPM)	100±10%
RATED TORQUE w/ GEARBOX(N·m)	5
MAX.PERMISSIBLE TORQUE(N·m)	7.5
NOISE	≤65dB
PROTECT CLASS	IP66
AMBIENT TEMPERATURE	-40°C~80°C[-40°F~176°F]
INSULATION CLASS	F 155°C[311°F]
TEMPERATURE RISE	MAX.100K



DIMENSIONS ARE IN MILLIMETERS.
 TOLERANCES AS BELOW:
 DECIMALS ANGLES
 X ±0.5 ±2°
 X.X ±0.25
 X.XX ±0.13

THIRD ANGLE PROJECTION

STEPPERONLINE®

DC GEARBOX MOTOR

THIS DOCUMENT SHALL NOT BE REPRODUCED NOR SHALL THE INFORMATION CONTAINED HEREIN BE USED BY OR DISCLOSED TO OTHERS UNLESS EXPRESSLY AUTHORIZED IN BY WRITING STEPPERONLINE.

SIGNATURE		DATE
DRN	HW	5.9.2024
APVD	LDJ	5.9.2024

PB65-65241800-G18						
REV.	0	SCALE	1:2	DWG NO.	A3236	